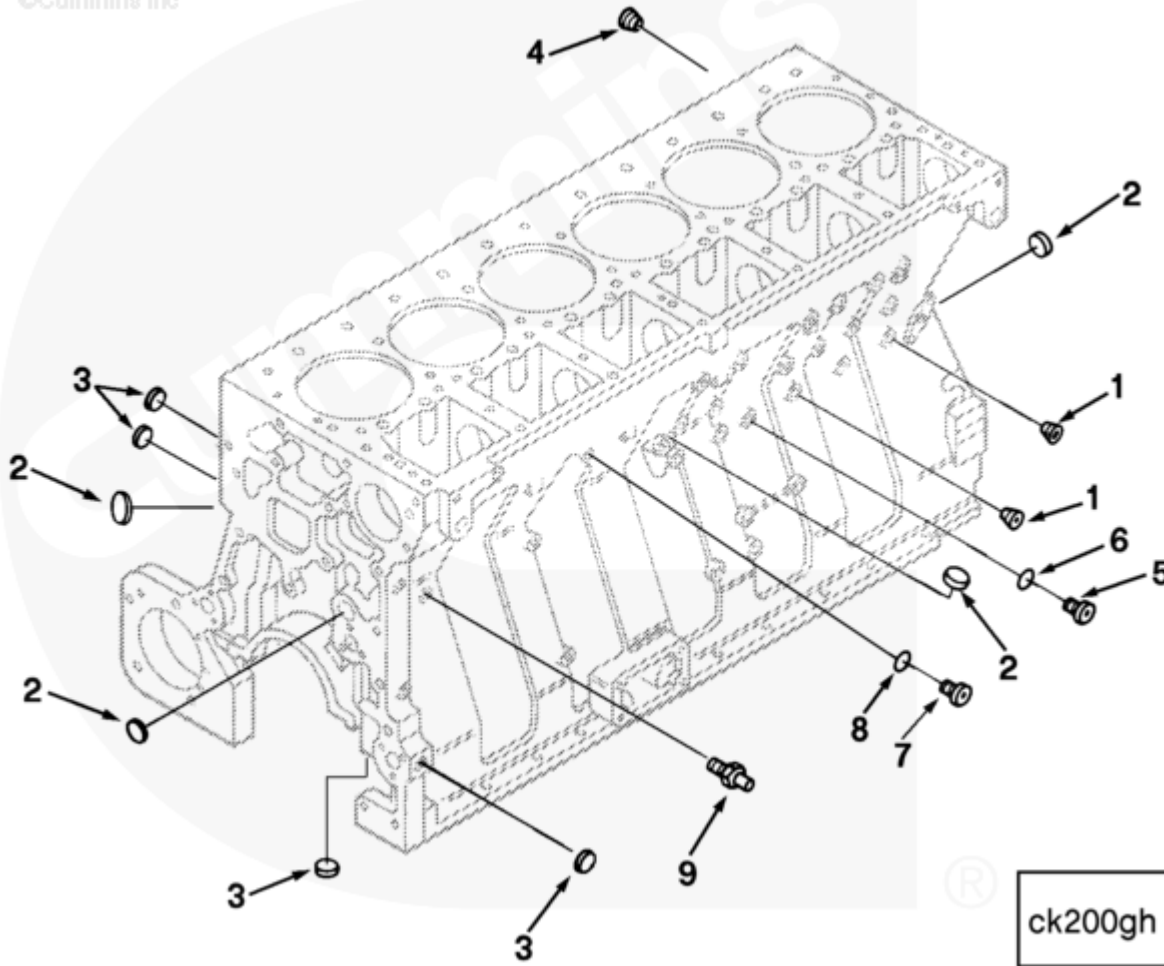




## Parts Catalog - Option Detail

Electronic Parts Catalog - Option Detail				
Option	Group	Graphic	Film Card	Date
BB2737-01	01.01.4	ck200gh	II	14-MAY-99
<b>Engines</b>	ISM CM570, ISM CM570/870, ISM CM875, ISM CM876, ISM CM876 E, ISM11 CM876 M103, ISM11 CM876 SN, M11 CELECT, M11 CELECT PLUS, M11 MECHANICAL, QSM11 CM570, QSM11 CM876			

©Cummins Inc



[SMALL](#) | [MEDIUM](#) | [LARGE](#)

Cart	Ref No	Part Number	Part Description	Required	Remarks
<input type="button" value="View My Cart"/>					
		<a href="#">BB2737-01</a>	Cylinder Block Plumbing		
					Cylinder Block Plumbing
					Block Hole #302 (3/4-16):
					Plugged

					Block Hole #316 (1/4 NPT):
					Plugged
					Block Hole #338 (9/16-18):
					Plugged
					Block Hole #339 (9/16-18):
					Open
					Block Hole #336 (9/16-18):
					Plugged with Threaded Plug
					Block Hole #317 (1/4 NPT):
					Plugged
					Block Hole #337 (9/16-18):
					Plugged
<input type="checkbox"/>	1	<a href="#">3008466</a>	Pipe Plug	2	1/4 NPT.
<input type="checkbox"/>	2	<a href="#">3007635</a>	Expansion Plug	4	1 inch
<input type="checkbox"/>	3	<a href="#">3007632</a>	Expansion Plug	9	0.378 Dia
<input type="checkbox"/>	4	<a href="#">3008468</a>	Pipe Plug	1	1/2 NPT.
<input type="checkbox"/>		<a href="#">3037536</a>	Threaded Plug	2	9/16 - 18 UNF
	5	<a href="#">3040813</a>	Threaded Plug	1	9/16 - 18 UNF
<input type="checkbox"/>	6	<a href="#">3037537</a>	O-Ring Seal	1	
<input type="checkbox"/>		<a href="#">3046202</a>	Threaded Plug	1	3/4 - 16 UNF.
	7	<a href="#">3040810</a>	Threaded Plug	1	
<input type="checkbox"/>	8	<a href="#">3046201</a>	O-Ring Seal	1	
<input type="checkbox"/>		<a href="#">3042619</a>	Coupling Nipple	1	
<input type="checkbox"/>	6	<a href="#">3037537</a>	O-Ring Seal	1	
	9	<a href="#">3042620</a>	Coupling Nipple	1	